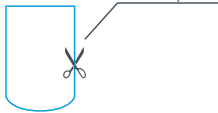
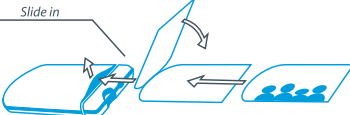




© Dan Funderburgh

CUSTOM PAPER PROJECT[©]

1.  Cut a shape out
2.  Slide in